

IDIDIT 2-Speed Wiper Installation

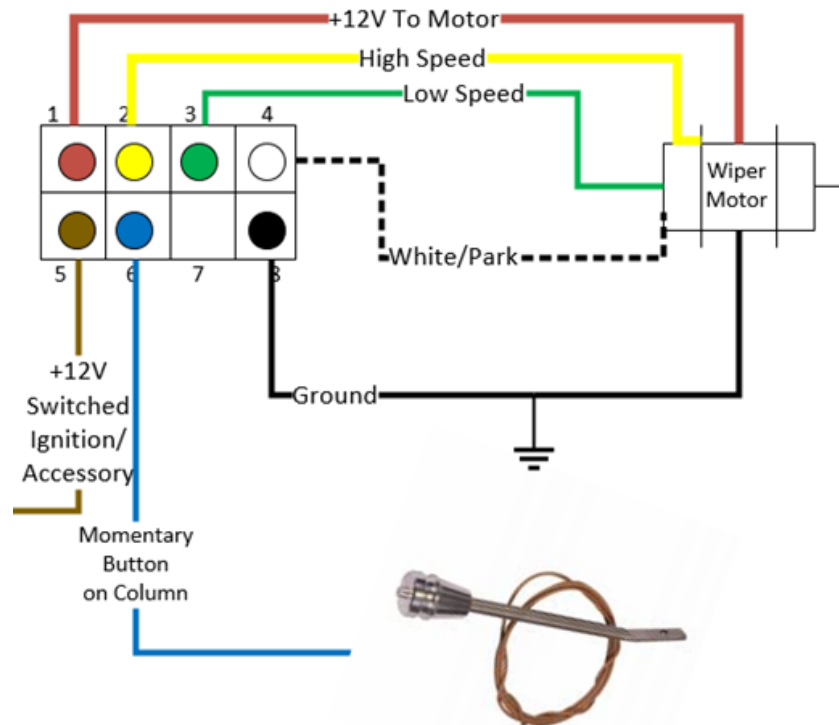
For Part Number's 3100006030, 3100051030, 3100051040, 3100051051, 3100061030, 3100061040, 3100061051

Thank you for purchasing IDIDIT's 2-Speed Wiper Control for your IDIDIT steering column! This product allows the use of a Momentary Button on your steering column to control a two-speed wiper motor. We have designed and engineered this product to allow you to control most 5-wire wiper motors using our discrete billet Momentary Button. We proudly manufacture this product in the USA.

A wiring diagram is provided to help with installation. Most standard 5 wire wiper motors should work.

Once connected properly, the wiper control will work as follows:

- Push button 1 time: Wiper Motor will turn on Low-Speed
- Push button 1 more time: Wiper Motor will turn on High-Speed
- Push Button 1 more time: Wipers will return to parking position and turn off



Troubleshooting:

- 1) Check wiring diagram to ensure you have wired the controller correctly. Ensure that the controller and the motor both have good chassis grounds. Most electrical problems we deal with are related to a poor ground connection.
- 2) If you have +12V switched power to pin 5, you should have +12V to pin 6. Pressing the momentary button should switch power between pins 2, 3 and 4
 - a. If you have +12V to pin 5, but no power to pin 1, check the internal 30 amp fuse.
 - b. If you have +12V power to pin 5, +12v to pin 6, but no power to pins 1, 2, 3 or 4, check the connection between pin 6 and the momentary button.
- 3) If power is good to pin 5 & 6 and output changes on pins 2, 3 & 4 when the momentary button is pressed, check the wiring inputs on the wiper motor to be sure they are wired in correctly.

You may reach us for Technical Support Monday through Friday, 8AM – 5PM Eastern Time:

Phone: +1-517-424-0577

E-mail: tech@ididit.com

Web: Chat with us through our website at <https://ididit.com>

