

Push to Connect Quick Release Steering Hub With Horn

For Part Number's 5010000043, 5010000045



IDIDIT'S line of quick release steering hubs are designed for GM OE or IDIDIT GM style shaft. Installation should be done by a trained professional.

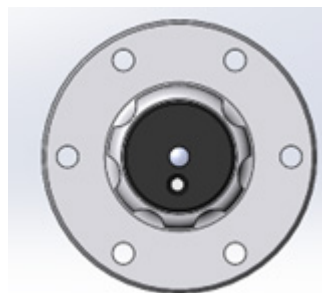
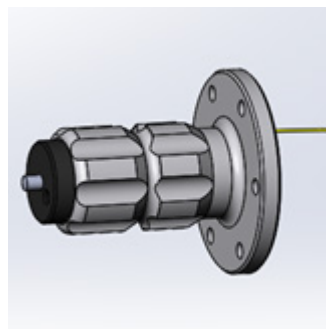
IDIDIT QUICK RELEASE STEERING HUBS ARE FOR DESIGNED FOR RACING ONLY, THEY ARE NOT LEGAL FOR STREET USE.

DISCLAIMER:

This product is designed and intended for off-road use only. Because IDIDIT, LLC has no control over installation and/or use of its products and racing is inherently dangerous, IDIDIT, LLC will not be held liable for personal, property, legal or financial damages or claims stemming from the use or misuse of any product we manufacture or sell. The purchaser assumes all risk and responsibility for safety, performance and applicability of these products.

Installation:

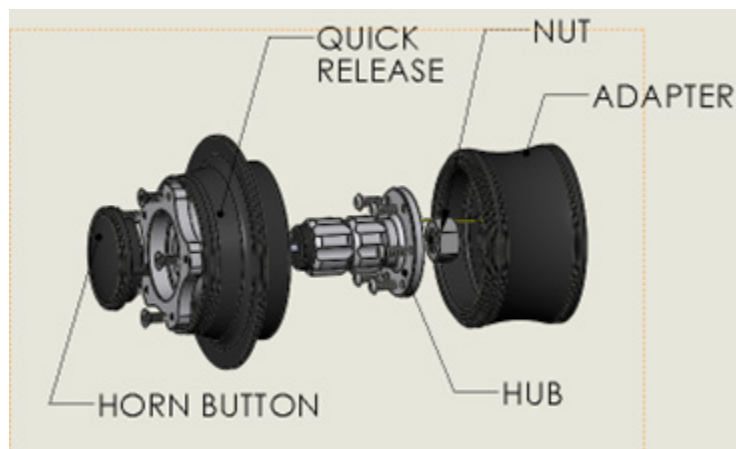
1. Assemble steering wheel to quick release steering hub using supplied bolts. Loctite and torque to 10-12 in/lbs. DO NOT EXCEED.
2. Prior to bolting the Quick-Release Center onto the Steering Shaft adapter; the front wheels must be aligned straight-ahead, the Steering Wheel should be bolted to the Quick-Release Hub, and the Quick-Release hub should be installed in the Quick-Release Hub adapter with the six (6) supplied bolts, do not use Loctite at this time. The hubs wide spline should be at 12 o'clock Position.



Push to Connect Quick Release Steering Hub With Horn

For Part Number's 5010000043, 5010000045

3. Connect the steering wheel assembly to the steering hub and adapter.
4. Ensure that the Steering Wheel is centered in the "12 O'clock" position before trial fitting the Quick-Release Center and hub/ adapter assembly onto the Steering Shaft. Align turn signal cancel post and splined shaft, engage splines. Do Not install steering shaft nut at this time. Mark adapter to shaft alignment and remove quick release center from hub. Disassemble hub from adapter.
5. Make horn wire connection, place quick release adapter over column shaft aligned to mark and install nut, Loctite and torque to 20 ft/lbs. **DO NOT EXCEED 20 FT/LBS TORQUE.**
6. Route horn wire to prevent pinching. Assemble quick release hub to adapter using the six (6) bolts provided, Loctite and torque to 10 in/lbs. **DO NOT EXCEED.**
7. Install Wheel and hub assembly on to hub and install horn button, check horn operation.



OPERATION:

To install wheel onto shaft, align quick disconnect hub to bolted on shaft stub and push wheel on until bottomed out. The design of the IDIDIT quick release hub does not require you to pull the ring to install steering wheel. **Check for positive lock by pulling firmly on steering wheel for confirmation that hub lock has engaged BEFORE EACH USE.**

To remove steering wheel, pull lock ring back to steering wheel and pull steering wheel off shaft stub.

- ❶ Check quick release hub and stub shaft for damage or loose and broken parts before each use.
- ❶ Clean and lubricate the unit regularly.

For questions on installation please contact our tech department at (517)424-0577

